

A•smoke^{80TF} Centralized Filter Unit

The Absolent type A•smoke^T Oil smoke filter features one of the most effective systems in the world for cleaning oil mist and oil smoke. A•smoke^{80TF} is a central filter unit with integrated fan and is designed for air volumes up to 8000m³/h. The filter unit is designed for handling the most demanding applications, such as heat treatment. At the same time, maintenance is minimal. Let us explain to you how this amazing combination works!

The highest possible collecting efficiency.

The filtered air becomes so clean that it usually can be returned to the premises. This means less loss of energy and a more balanced ventilation.

Designed for oil smoke.

Oil smoke particles are very small, smaller than 1.0µm. Other filter types, such as centrifugal filters, have difficulties with small particles.

Extremely low maintenance.

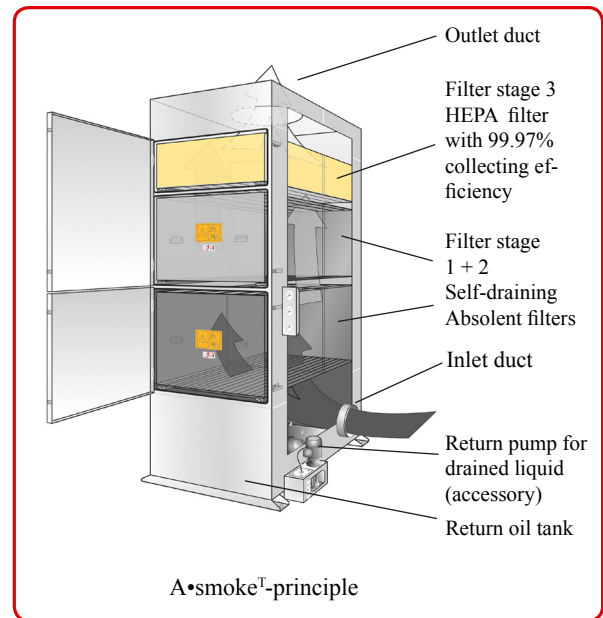
Absolent filter units usually run for up to 6 years without filter change. This results in a low total cost of ownership.

A very reliable filter unit.

The fan, as the only moving component, is placed at the clean-side to minimize wear & tear.



A•smoke^{80TF}



Operation

The filtering process occurs in three stages. The first and second stages consist of self-draining Absolent filter cassettes. Here, a minimum of 95% of the oil mist and smoke is arrested. The third stage consists of a HEPA-filter, which has a guaranteed and consistent collecting efficiency of 99.97% arresting 0.3µm dia. particles. The filter unit has an electronic pressure gauge, A•monitor, which shows the pressure drop over the different filter stages and indicates when a filter cassette is to be changed. Thanks to the continuous draining of the filter cassettes, the unit can be operated without interruptions. The return oil is collected at the bottom of the filter for recycling.

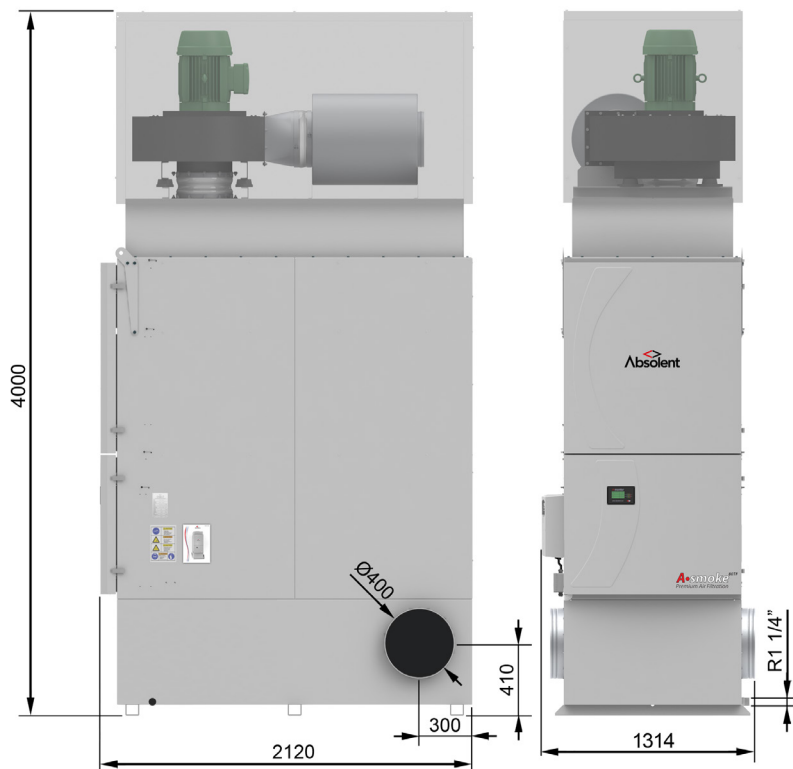
Range of Application

The Absolent A•smoke^T filter unit is well suited for use in applications such as:

- Heat treatment
- Cold-drawing
- Gear cutting
- Grinding with neat oil
- CNC turning with neat oil
- Forging operations and cold pressing

Design

The A•smoke^T central filters contain an electronic manometer, which shows the filter unit's time of operation as well as the state of the filter cassettes. The unit has spacious doors for safe and easy service.

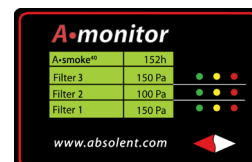


Unique filter cassettes



Absolent is one of few companies in this line of business that has specialized in the filtration of air containing wet particles. This has given us opportunity to develop a filter cassette that offers a long useful life with consistently high collecting efficiency.

Electronic manometer



- Pressure drop and operation hour meters
- Optical indication of filter alarm (LED).
- Digital output signal for remote supervision.

Technical Data

		A•smoke ^{80TF} (11 kW motor)	A•smoke ^{80TF} (15 kW motor)
Max permissible air volume	[m ³ /h]	8000	8000
Sound level, 3m in front of filter unit ¹⁾	[dB(A)]	73 ¹⁾	74 ¹⁾
Weight dry filter cassettes (wet/dirty filter cassettes)	[kg]	1450 (1700)	1450 (1700)
Available dim. ext. pressure drop	[Pa]	500	1900
Filter area, filter 1 (Absolent filter)	[m ²]	48	48
Filter area filter 2 (Absolentfilter)	[m ²]	51	51
Filter area, filter 3 (HEPA filter)	[m ²]	112,8	112,8
Standard inlet connection	[mm]	ø400	ø400
Standard outlet connection	[mm]	ø500	ø500

¹⁾ Sound absorption in premises=200m², Hemispherical sound propagation. For sound calculation concerning a specific room, contact us at Absolent or any of our dealers.

Standard Equipment

- ● RAL 7035 fine structure SK3
Other colours on request!
- Electronic manometer for reading the pressure drop across the filter
- Integrated fan unit
- Frequency control of the fan with constant pressure control
- Lifting lugs

Accessories

- Pump unit for drained liquid
- Control of pump equipment
- Duct connections for various types of steel or plastic ductwork available on the market
- Filter sledge for easier change of filter cassettes
- Special colour

Absolent AB
Kartåsgatan 1
SE-531 40 Lidköping
Sweden
Tel: +46 (0)510-484000
Fax: +46 (0)510-484029
E-mail: info@absolent.se
Sweden • USA • China

www.absolent.com

Dealer:



ENVIROTECH, s.r.o.
Priemyselný park VISOLAJE
018 61 Beluša
office@envirotech.sk
+421 917 432 369